

2022 Block of the Month Directions:

“Bursting Star”

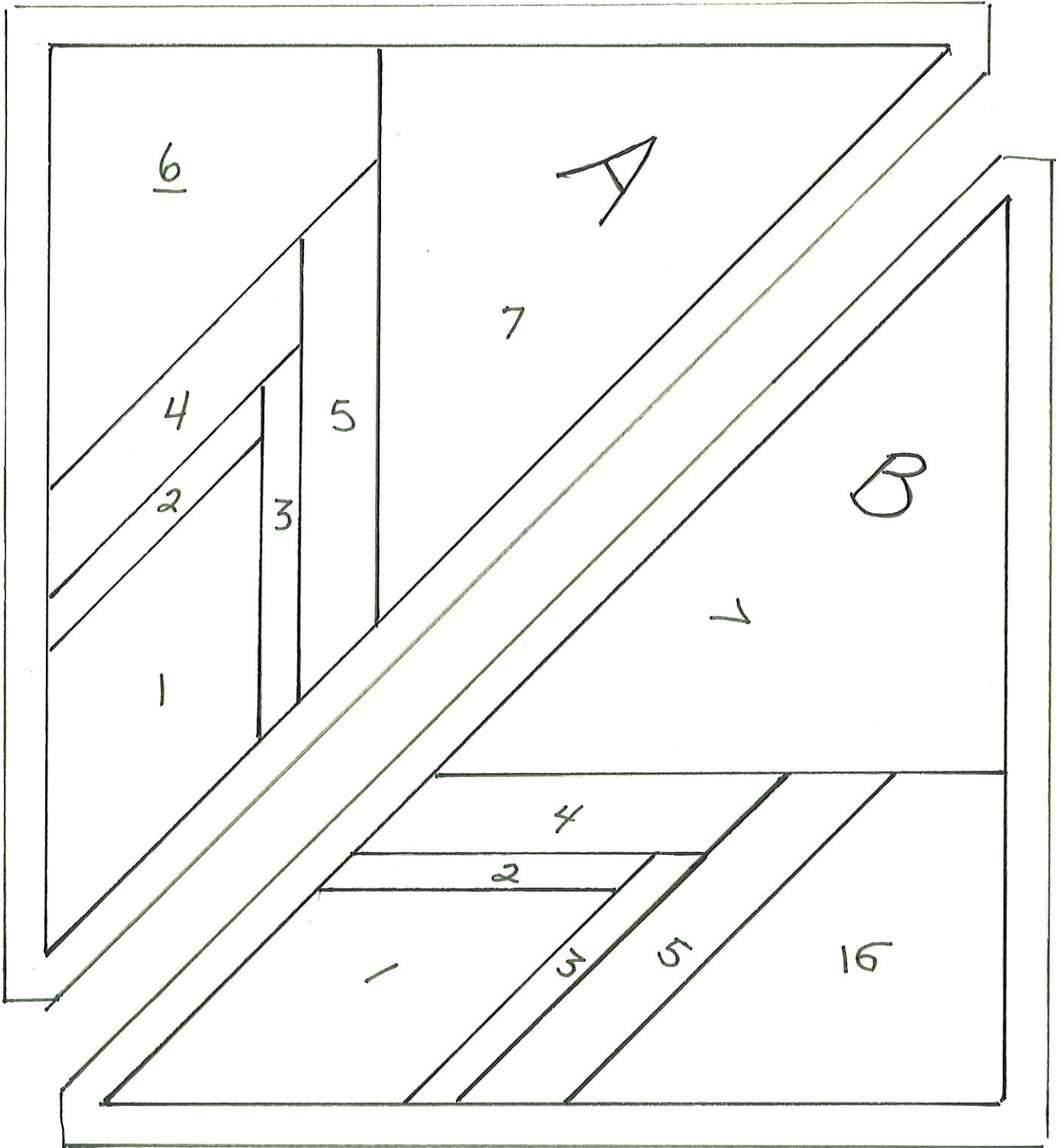
This pattern is a **paper pieced block**, which measures **12 ½ ”** including the seam allowance.

We chose to use **ONLY batik fabrics**, which will all match at the end of your year!

1. **Background pieces (# 6 & 7) must be of light batik fabrics**
2. **The star pieces (# 1-5) will use medium to dark batik fabrics**
3. However, you may choose to make pieces #2 & 3 into background, for a different look.
4. Each of the 8 triangles, may be all the same or all different or every other one matching.
5. Any colors are welcome, as long as you choose light for background and darker for the stars.
6. Please **leave the paper on the back** when you are finished to bring to the meetings.
7. Please **write your name on the paper backing** of your block, so the recipient can admire who made their blocks!
8. **Make 4 copies of the pattern** for each finished star block.
9. **You may bring 1 block or more each month.** If you bring 1 block, you take home 1 different block... if you bring 4 blocks, you take home 4 different blocks.
10. If you want a larger quilt at the end of the year, make one to bring and 1 to keep!
11. **Enjoy making your blocks and thanks for participating!**

Cutting Directions

- #1) 5" X 4" (cut 8 total)
- #2) 3 ½" X 1 ½" (cut 8 total)
- #3) 4" X 1 ½" (cut 8 total)
- #4) 4" X 2" (cut 8 total)
- #5) 5" X 2" (cut 8 total)
- #6) 3 ½" X 5" (light background) (cut 8 total)
- #7) 6" X 5" (light background) (cut 8 total)



1 inch

"Bursting Star"

BTCQ 2022 Block of the Month

➔ Make 4 copies per Block

We will have paper piecing directions available at the meeting or to better understand and to start now... Look up any of these tutorials on how to paper piece:

YouTube:

Nancy Roelfsema:

OnPoint-TV and Quilting with Nancy (Paper Piecing, Part 1 and Part 2 (Ep.110)

The CraftGemini (Paper Piecing Made Easy Tutorial)

Jenny Clark (Beginner paper piecing)

www.caroldoak.com/userfiles/How to Paper Piece2.pdf

www.patchpieces.com/files/demoFPP.pdf

<https://www.polkadotchair.com/foundation-paper-piecing-tutorial-free-kite-paper-piecing-pattern/>